

Bell & Gossett Pump Identification

Pump Series (See Back Side) _____

Cast Iron or Bronze (Red or Gold) _____

Indoor or Outdoor (ODP or TEFC Motor) _____

Horsepower (or Watts) _____ RPM _____

Voltage (Single or Three Phase) _____

Gallons Per Minute _____ Head Pressure _____

Impeller Size (Series 60 and Above) _____

Suction Connection Size _____ Discharge Connection Size _____

Casting Number (If Pump Model Not Known) P _____



LOS ANGELES

2124 N. LINCOLN AVENUE

ALTADENA, CA 91001

TEL: 626-797-9710

FAX: 626-798-4659

WWW.DAWSONCO.COM

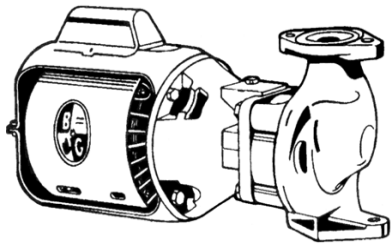
SAN DIEGO

7044 CONVOY COURT

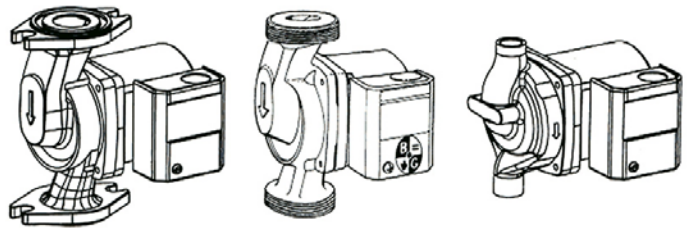
SAN DIEGO, CA 92111

TEL: 858-541-7867

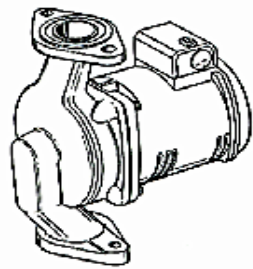
FAX: 858-541-0333



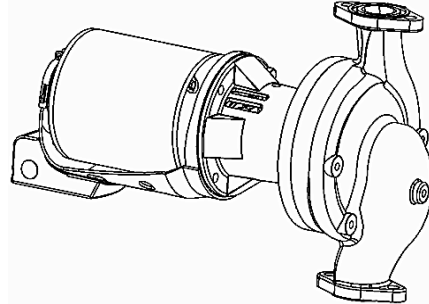
**Oil Lubricated Three-Piece Booster
(100, PR, HV, 2", 2-1/2", LD3, HD3, PD)**



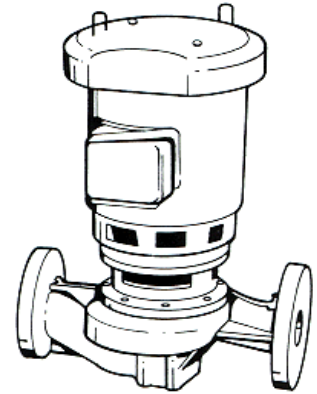
Wet Rotor (NBF, NRF, SSF, LR)



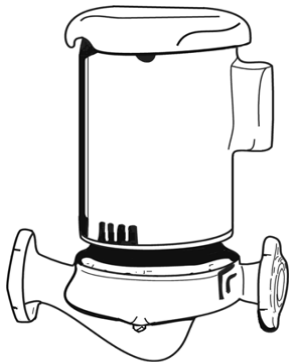
Series PL



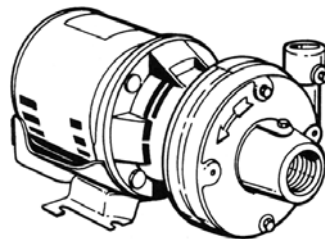
Series 60



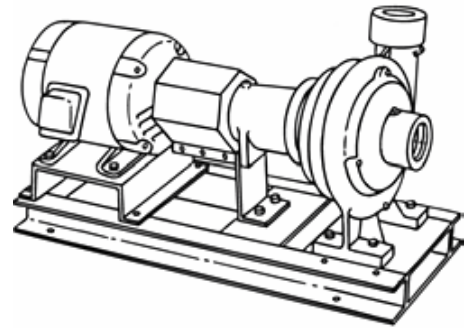
Series 80



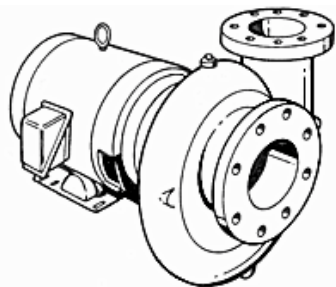
Series 90



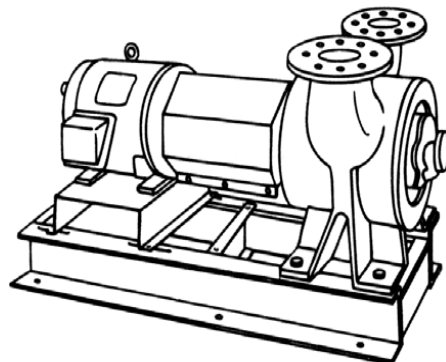
Series 1522



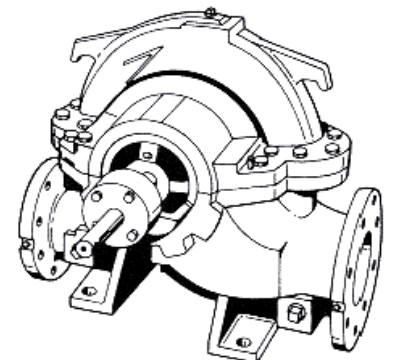
Series 1510



Series 1531



Series VSC



Series HSC